

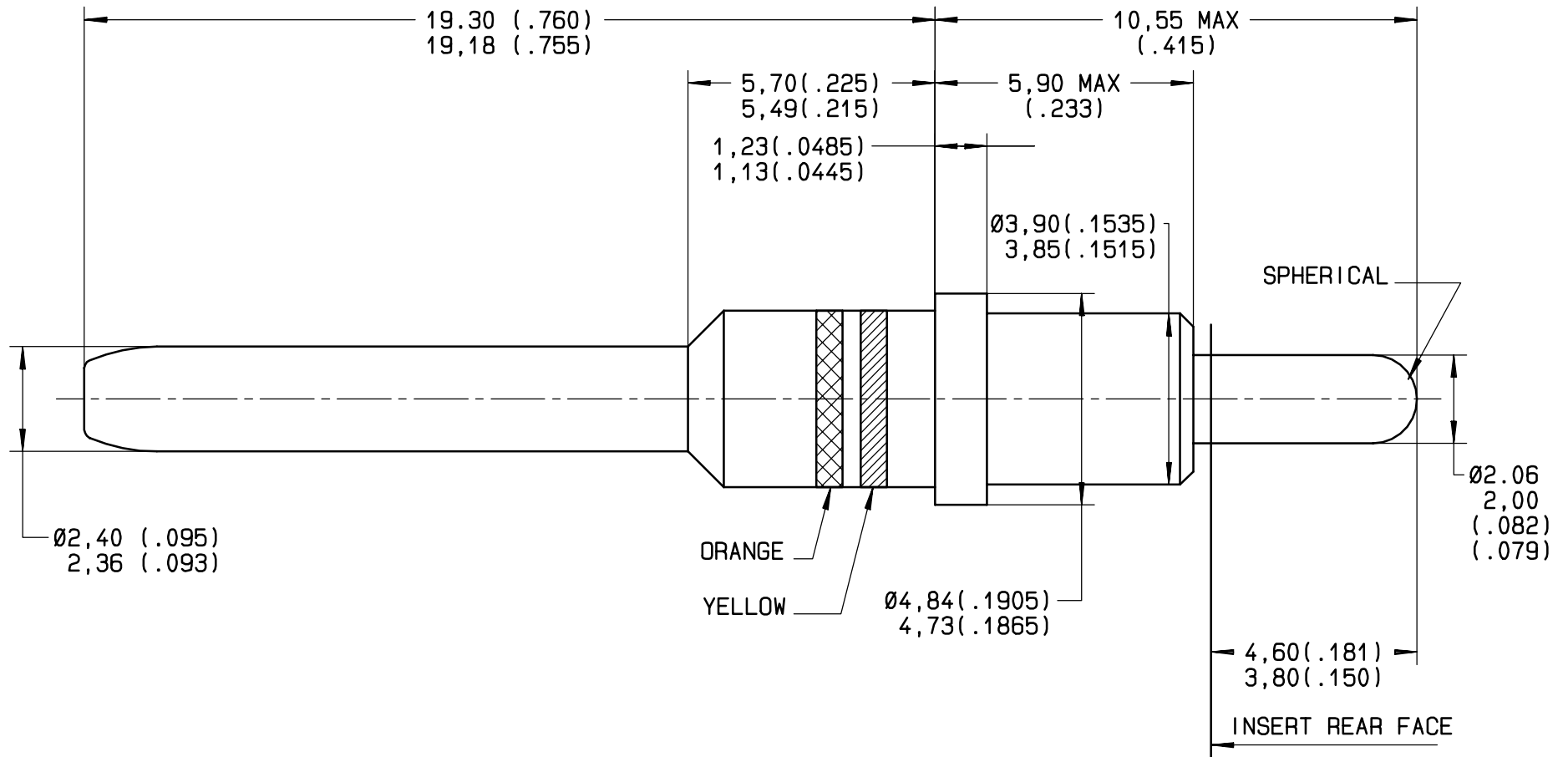


Series  
NSX

SIZE 12 FRONT RELEASE, FRONT REMOVABLE  
PC POST PIN CONTACT

Issue:  
13 NOVEMBER 02

Page  
1 / 1



**\*MATERIAL:**

- CONTACT: BRASS PER QQ-B-626

**\*FINISH:**

- CONTACT BODY: PLATING .00005 INCH OF GOLD PER MIL-G-45204 TYPE I OR II GRADE C OR D CLASS 1 OVER NICKEL PER QQ-N-290

**\*INSERTION/EXTRACTION TOOL: 282549005**

This information is given as an indication. In the continual goal to improve our products, we reserve the right to make any modifications judged necessary.

4112-9610

CREATION	.	.	.	.
PEN: M990400021A	.	.	.	.
NOM: MACARI	.	.	.	.
DATE: 24 MARCH 99	.	.	.	.
APPR.: JACOB	13 NOV 02	10,55 MAX (.415) WAS 11,00 MAX (.434)	COUTHON	VALGRESY
	Issue	Revisions	Name	Approved